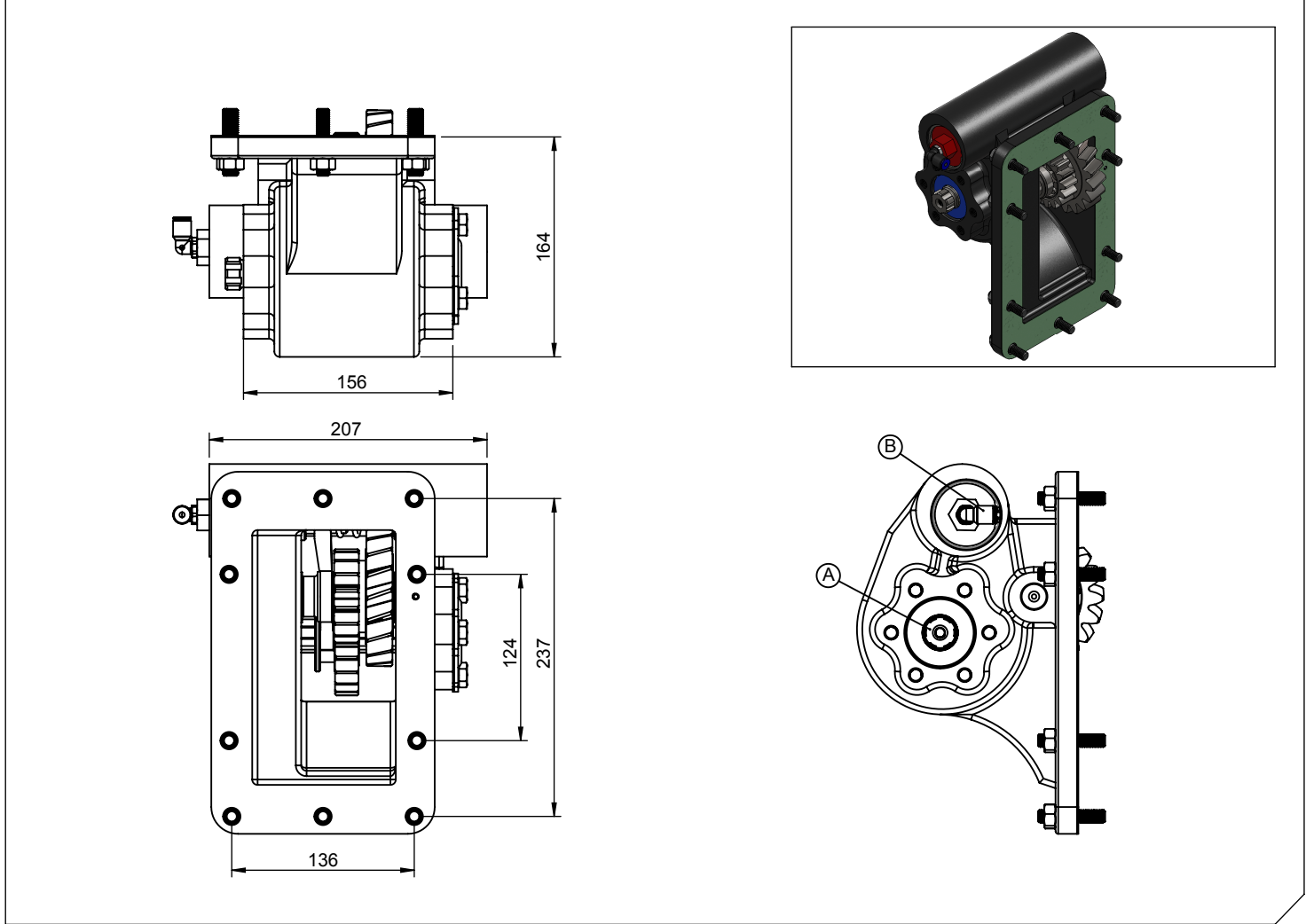


<b>Vehicle Type</b>	P92 - 93 - 111 - 112C - 113R - 114H - 142M - 144L - 93 H 280 - R 113M SCANIA
<b>Gearbox Type</b>	GR 870 - 871

<b>Product Code</b>	<b>SCA.13.8701.KF</b>
---------------------	-----------------------



### Products Views



### Component Details

A : PTO Output (Standard DIN 5463 6X21X25 UNI 3 Bolt)  
 Direct mounting ISO 4 bolt mtg. adapter  
 Drive flange  
 B : Air Inlet R 1/4"

### Technical Details

Power	Maximum Torque		Input/Output	Mounting Side	Control Type
	kW	Nm			
23,6	225	23	1/0.78	Right	Pneumatic
				<b>Weight</b>	<b>Sense of Rotation</b>
				16 kg	Opposite of Input